

# WINDKAT® Installation Instructions:

## Included in delivery:

discharge crown, mounting plate with inner tube, 4 X 6mm wall plugs, 4 screws & heat resistant silicon

## Tools required:

hammer drill, 6mm masonry drill bit, screwdriver, protection gloves & pencil (for marking)

**Step 1:** Pull the discharge crown (1) off the mounting plate (2).

**Step 2:** Place the mounting plate on the chimney and position it according to the chimney's dimensions.

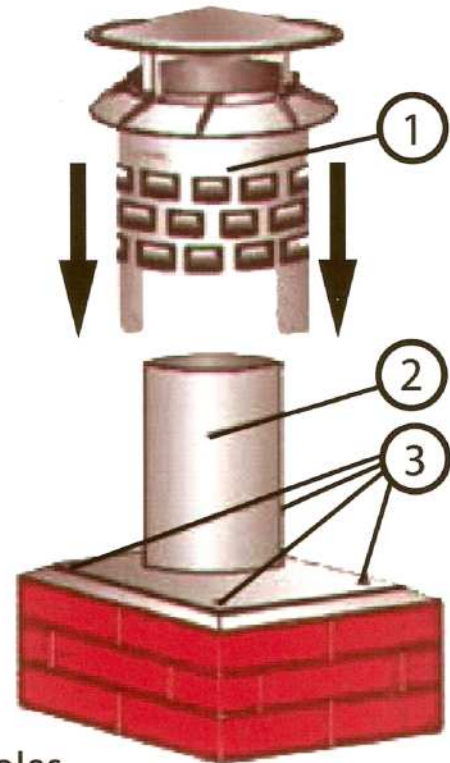
**Step 3:** Mark mounting holes on the chimney (3).

**Step 4:** Remove the mounting plate from the chimney and drill the 6mm mounting holes.

**Step 5:** Insert the wall plugs into the mounting holes.

**Step 6:** Important: Use heat resistant silicone to seal the space between the base plate and the chimney stack. Secure the mounting plate by screwing into the drilled mounting holes.

**Step 7:** Push the discharge crown onto the tube-end of the mounting plate. The discharge crown will fasten automatically due to the presence of the wind nozzles; no extra fasteners are required.



## Your WINDKAT System is now ready to operate.

- Pay attention to safety when climbing up to the chimney.
- Ensure you are standing firmly before you install the WINDKAT.
- Ensure you have good protection from falling.
- Wear protective gloves when carrying and installing the WINDKAT.
- Only install the WINDKAT if your chimney is intact, i.e. not crumbling.
- Take extra care in ensuring the wall plugs are firmly positioned.
- Take precautions against possible lightning.